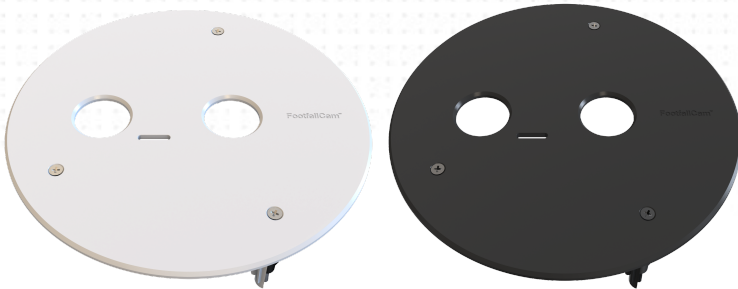


Seamless Design Ceiling Mounting

Flush Mount Kits 3DPro2™

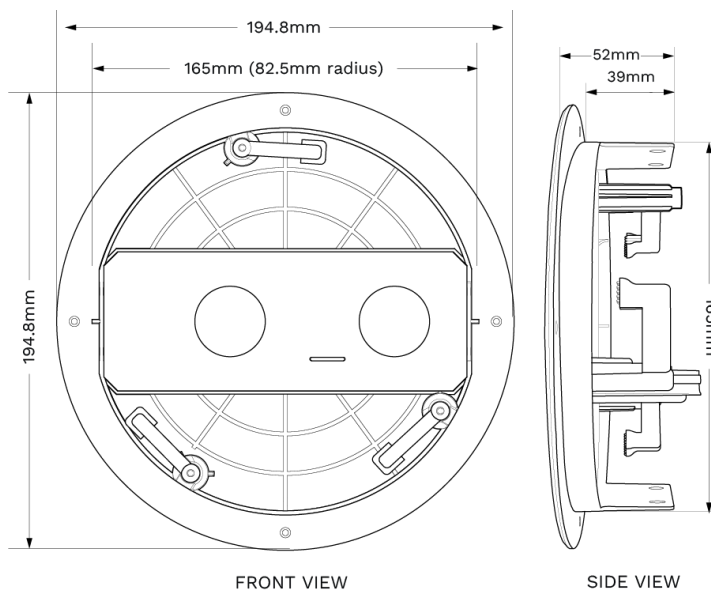


Product Code: FC-FAC46

TECHNICAL DATA

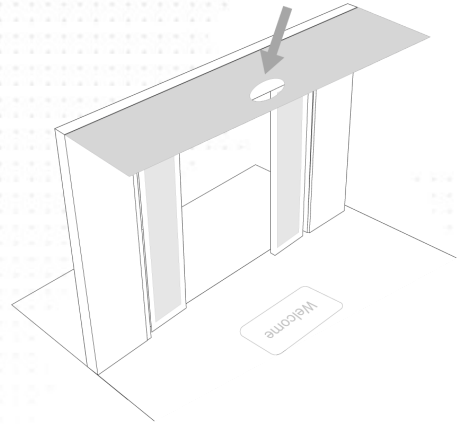
| | |
|-----------------|----------------------|
| Compatible With | FootfallCam 3D Pro2™ |
| Maximum Load | 2kg |
| Weight | 0.18kg |
| Material | ASA Plastic |
| Variants | White, Black |
| Environment | Indoor |

PRODUCT DIMENSION

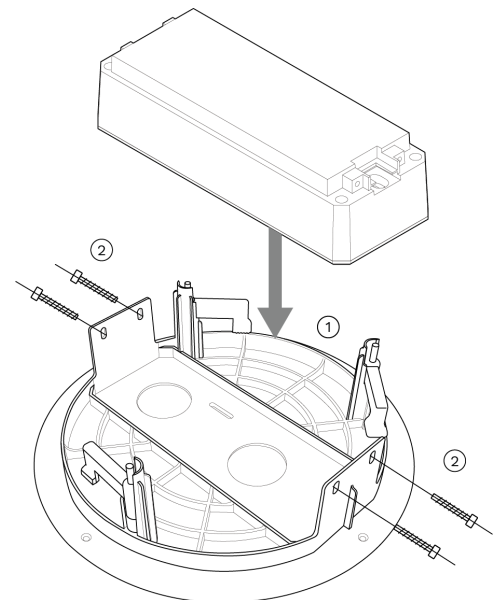


HOW TO INSTALL

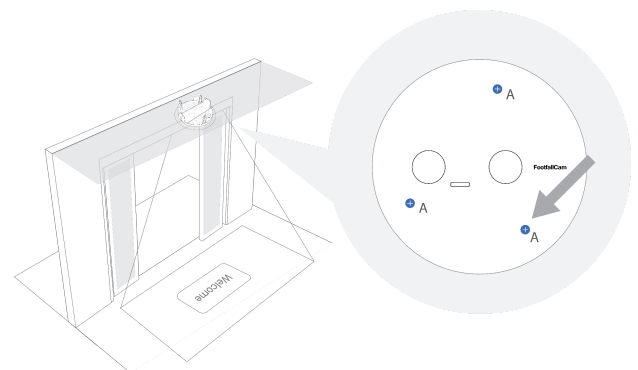
Step 1: Determine the mounting location of the 3D Pro2 and cut a circle hole of size 165mm diameter (82.5mm radius) on the ceiling space for installation of the mounting.



Step 2 Attach the counter to the bracket and secure it in place



Step 3 Clamp the bracket with the attached counter onto the ceiling and secure it by fastening 3x Screw A (Blue). Additional breakable holes are provided on each corner for direct mounting.



Do you need further information or have a question? Please visit www.footfallcam.com

©2002-2023 Footfall counter is trademark application of FootfallCam in various jurisdictions. We reserve the right to introduce modifications without notice. All other company names and products are trademarks of their respective companies.