

Cost Effective Car Parking Detection

CarparkCam™



Product Code: FC-CPC01

AI POWERED VEHICLE PARKING GUIDANCE CAMERA

- Occupancy monitoring up to 6 parking spaces
- Real-time Occupancy Detection
- RGB Light Indication for Parking Lot Status
- Wireless Configuration with Bluetooth (BLE)
- Live and Historical Data Monitoring
- Available metrics are occupancy count, visit duration, returning rate, parking space reservation, car model profiling.
- Easy integration with VMS system
- Excellent Lifespan MBTF 25 years

FIND YOUR CAR (NUMBER PLATE RECOGNITION)

- Car identification with LPR (licence plate recognition)
- Navigate through a map finder application from the digital kiosk to the car location (side parking is not applicable).

LOW INFRASTRUCTURE COST

- One cable connects with FootfallCam MeshHub™ that carries both 12V power and RS485 signal.
- Low power consumption, support stable voltage supply for daisy chain 20 units of CarparkCam™.
- Specially designed to fit for standard car park with ceiling heights 2.0m to 2.5m, allow apply drop pole for higher ceiling.
- Widest Coverage. Equipped with the high resolution 120-degree fisheye lens from both sides, supports up to 6 vehicles, reducing the total number of counters required.

EASY TO INSTALL AND SET UP

- One cable connection
- Can be mounted on small cable trunkings, cable trays, cable ladders, and drop poles.
- Support daisy chain from other CarparkCam devices.
- Water Leakage-Proof. Enclosed in the splash-proof case to reduce the counter failure rate due to common issues like water leakage on the ceiling.
- Lightweight and sturdy case material with glass fibre.
- 1-year Manufacturer Warranty
- GPIO Functionality.

TECHNICAL DATA

Device Dimension (mm)	110 (W) x 82 (D) x 60 (H)
Packing Dimension (mm)	120 (W) x 120 (D) x 65 (H)
Weight	Device: 0.6 kg Packing: 0.86 kg
Camera	2x 5MP, 120°, omni-vision 5640 camera modules
Illumination	Minimum 20 lux (standard 75 Lux)
Response Rate	30 seconds to change the indicator
Indicator	RGB LED status indicator
Casing	Made by mixture Polyamide 6 (PA6) and 35% glass fibre reinforced. Combined with transparent and tough Polycarbonates (PC) material for Light Indicator.
Storage	Built-in, 8 GB Storage
Ideal Mounting Height	2.0 metres – 2.5 metres
Operating Environment	Temperature 10°C to 45°C, Humidity 10% to 90% Minimum Illumination of 75 Lux
Storage Environment	Temperature -40°C to 70°C, Humidity 10% to 95%
Detection Technology	Image segmentation, edge detection, background removal
Field Upgradable	N/A
Voltage	12 VDC
Power Consumption	Average 5 W Maximum 15 W
Cabling	Minimum 22 AWG Maximum 16 AWG
Origin	Made in the UK

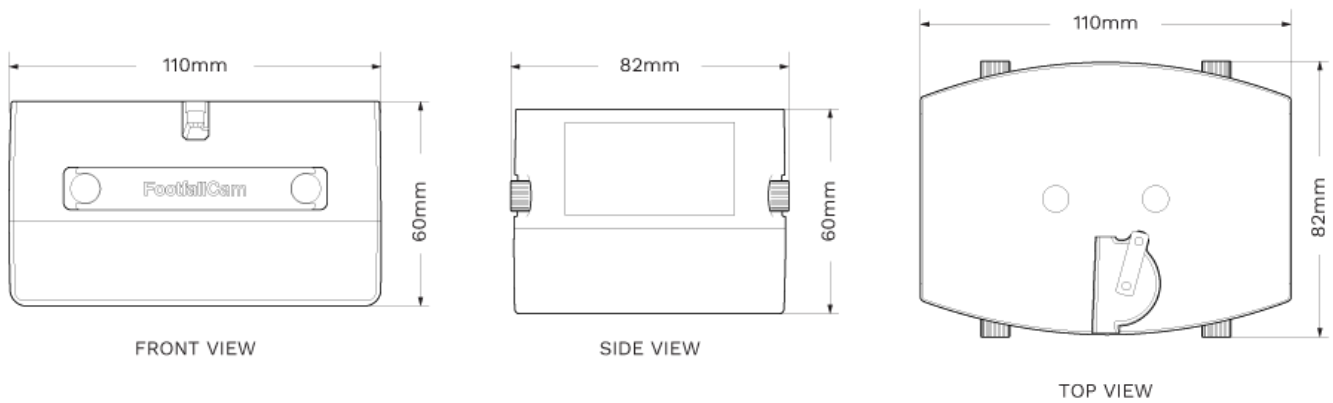
FIRMWARE SPECIFICATION FOR DEVICE LEVEL

Interface	RS485, BLE
Operating System	RTOS
Ethernet	NA
Data Delivery	BLE, Custom Protocol
Data Format	Encrypted communications
Firmware Feature	Camera Autofocus, Device Health Check
Data Upload to Server	Go through FootfallCam MeshHub™
Average Data Transfer Rate	10.0 kB/s

Do you need further information or have a question? Please visit www.footfallcam.com

©2002-2023 Footfall counter is trademark application of FootfallCam in various jurisdictions. We reserve the right to introduce modifications without notice. All other company names and products are trademarks of their respective companies.

PRODUCT DIMENSION



COVERAGE TABLE

Ceiling Height (m)	Lane Type	Parking Type	Parking Lot
2.0 - 2.5	Single (3.6m width)	Parallel	1
2.0 - 2.5	Single (3.6m width)	Perpendicular	3
2.0 - 2.5	Double (6.0m width)	Parallel	2
2.0 - 2.5	Double (6.0m width)	Perpendicular	6

Notes:

- Standard car park lot size is 2.5m x 5.0m.
- For mounting height >2.50m, recommend using a drop pole when installing the device to the acceptable range.