

Adjustable Extension Mounting Pole

Drop Pole™



Product Code: FC-FAC14 | FC-FPS03

ADJUSTABLE DROP CEILING MOUNT

- Allows installation of a FootfallCam device when the ceiling height of the store is outside of the recommended range

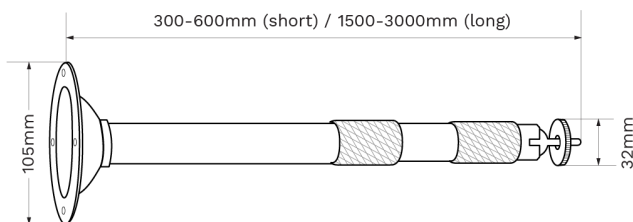
OPTIMISED FOR ALL ENVIRONMENTS

- Adjustable length from 30-60cm, 1.5-3 metres
- Tilt 90 degrees, swivel 360 degrees with strong bearing force
- Aluminium construction, rust proof and lightweight
- Cable management through extension pole

TECHNICAL DATA

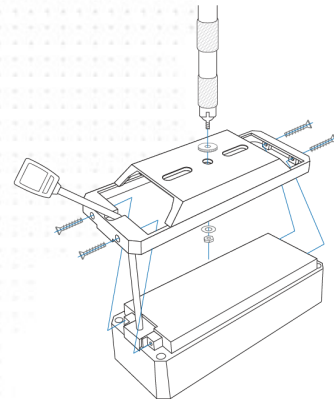
Variant	FC-FAC14: Drop Pole 0.6m FC-FPS03: Drop Pole 3m
Maximum Load	2kg
Material	Aluminium
Weight	FC-FAC14: 0.18kg FC-FPS03: 0.35kg
Extension Reach	FC-FAC14: 0.3m to 0.6m FC-FPS03: 1.5m to 3m
Mounting Height (measure from the floor)	FC-FAC14: 2.8m to 5.1m FC-FPS03: 4.5m to 7.5m
Environment	Indoor
Compatible with	Universal Mounting Plate
Included	Mounting Screw Kits

PRODUCT DIMENSION

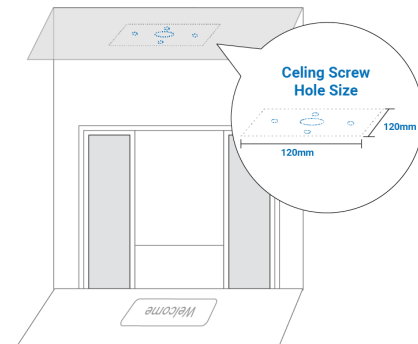


HOW TO INSTALL

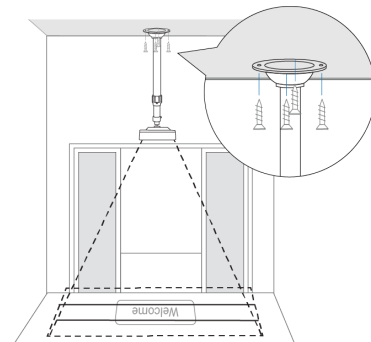
Step 1 Attach the Universal Mounting Plate to the Drop Pole with 2x washers, and 1x nut then attach the mounting plate to the device with 4x screws.



Step 2 Determine the mounting location and drill (5) holes for installing the drop pole. The holes should be drilled within (120mm x 120mm).



Step 3 Attach butterfly bracket and mount the drop pole onto the ceiling with 4x screws.



Step 4 Connect the Cat5 cable through the tubes of the drop pole.

