

Ai Video Analytics For CCTV

CENTROID™



Product Code: FC-FCT01

KEY FEATURES

- Real time processing data
- Designed for human and vehicle detection
- Process up to eight HD full-motion video streams
- Low-power edge intelligent video analytics
- FootfallCam Centroid works in conjunction with FootfallCam people counter and/or any CCTV cameras
- Data Metrics involved in the FootfallCam people counter can be computed by FootfallCam Centroid

MULTI STREAM VIDEO ANALYSIS

- Can be connected to up to 8 CCTV cameras for maximum coverage and cost-effectiveness. The videos from PoE Switch/ DVR/ NVR are processed in real time to generate in-depth data analytics. The aggregated data from each raw video stream are available to be accessed through FootfallCam Analytic Manager V9™ with read-made modules and reports.

OBJECT DETECTION (LOCALIZATION)

- Powerful processor to deploy as a low-power edge intelligent video analytics platform for Network Video Recorders (NVR), smart cameras and IoT gateways. FootfallCam Centroid™ carries out object detection and classification for any industry.
- Each FootfallCam Centroid™ can only run a single object detection model at a time. Supported models include People Counting (including Heatmap, Heatdwell, Queue Counting), Vehicle Counting, Crowd Counting and Demographic.

CCTV REQUIREMENTS

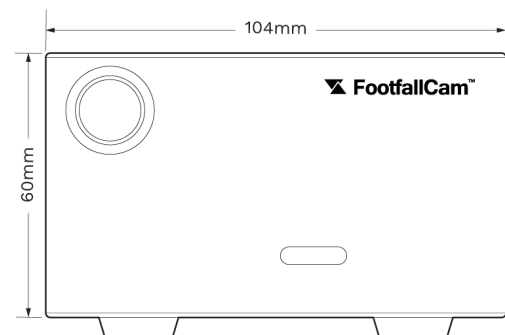
- Compatible processing data through Real time Streaming Protocol (RTSP)
- Allow direct video stream from RTSP enabled IP Cameras or Network Video Recorders (NVR)
- Installed between 2 to 6 metres ceiling height with ideal mounting height between 3 to 4 metres.
- No distortion / fisheye lens on the analytic zone
- Minimum video resolution of 720p
- Minimum video frame rate of 10fps

GENERAL SPECIFICATION

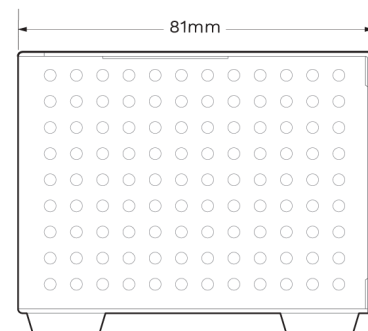
Model	Centroid
Weight	270 gm
Casing Colour	Black
Casing Material	Metal
Total Dimensions (mm)	104 (W) x 81 (D) x 60 (H)
Warranty	1 year from first allocation date (Warranty extension available upon request)
CPU	64-bit Quad-core @ 1.43GHz
GPU	128-core @ 921MHz
Memory	4GB 64-bit LPDDR4 @ 1600MHz 25.6 GB/s
Video Encoder	4Kp30 (4x) 1080p30 (2x) 1080p60
Video Decoder	4Kp60 (2x) 4Kp30 (8x) 1080p30 (4x) 1080p60
Processor Power	10W
USB	4x USB 3.0 A (Host) USB 2.0 Micro B (Device)
Display	HDMI DisplayPort
Networking	Gigabit Ethernet (RJ45)
Wireless	M.2 Key-E with PCIe x1
Storage	MicroSD card (16GB UHS-1 recommended minimum)
Other I/O	(3x) I2C (2x) SPI UART I2S GPIOs
Power Supply	5V4A DC Power Adapter
Average Data Transfer Rate*	5.0 kilobytes/hour

* Average Data Transfer Rate is measured with a predefined sample size of 20 requests per hour.

PRODUCT DIMENSION



FRONT VIEW



SIDE VIEW

Do you need further information or have a question? Please visit www.footfallcam.com

©2002-2023 Footfall counter is trademark application of FootfallCam in various jurisdictions. We reserve the right to introduce modifications without notice. All other company names and products are trademarks of their respective companies.