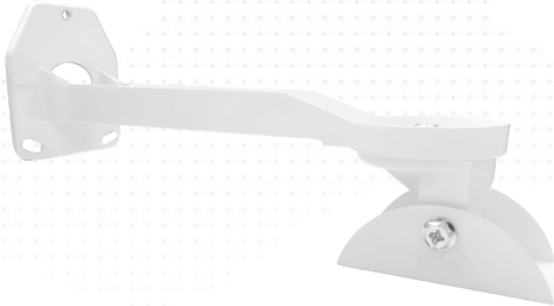


# Heavy Duty Mounting with Tilttable Angle Wall Bracket™



Product Code: FC-FAC01

## VERSATILE MOUNTING OPTIONS FOR COUNTER

- Designed for counters to mount on wall & ceiling, adaptive for a different mounting location such as the sloped ceiling.

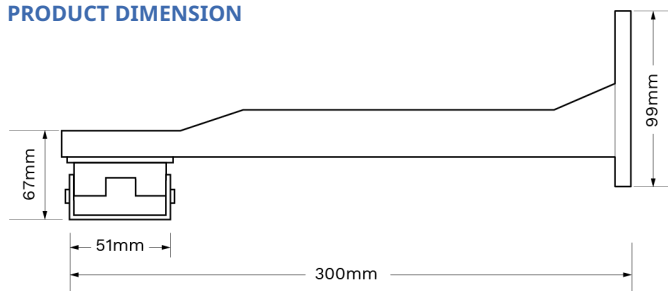
## OPTIMISED FOR ALL ENVIRONMENTS

- Adjustable head bracket (Tilting 90 degrees, swivel 360 degrees) allows the counter to work on the correct stereo vision angle.
- Sturdy metal (aluminium alloy) and waterproof, adaptive to add extra mounting hole directly on the metal when necessary.

## TECHNICAL DATA

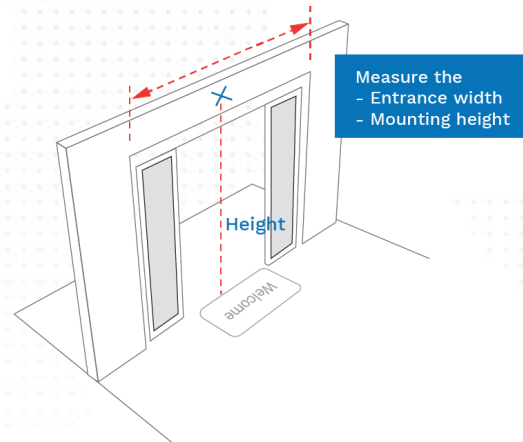
Maximum Load	2kg
Dimension (mm)	300(W) x 99 (D) x 67 (H)
Weight	0.2 kg
Colour	White
Material	Aluminium Alloy
Environment	Indoor
Ideal Mounting Height	2.8m to 5.1m (measure from the floor)
Included	Mounting Screw Kits

## PRODUCT DIMENSION

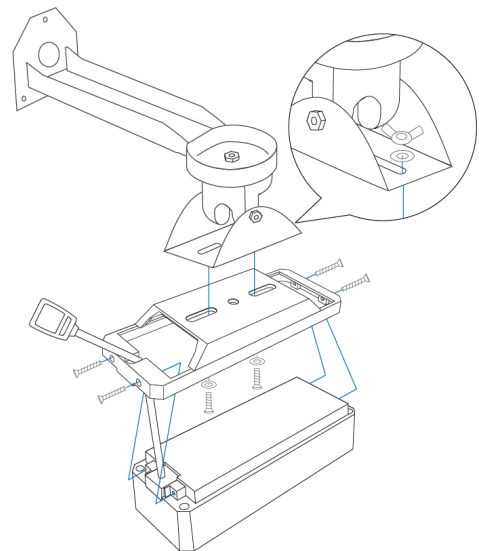


## HOW TO INSTALL

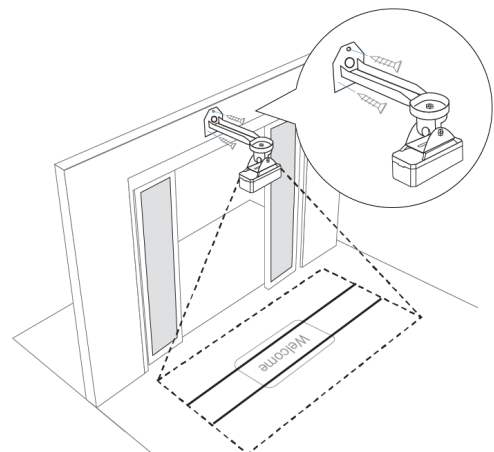
**Step 1** Determine the mounting location (ideal height: 2.8m-3.5m), and calculate the total counter required using Footfall Calculator.



**Step 2** Attach the counter to the bracket with 2x screws, nuts and washers.



**Step 3** Mount the bracket on the wall with 2x screws and wall plugs.



Do you need further information or have a question? Please visit [www.footfallcam.com](http://www.footfallcam.com)

©2002-2023 Footfall counter is trademark application of FootfallCam in various jurisdictions. We reserve the right to introduce modifications without notice. All other company names and products are trademarks of their respective companies.