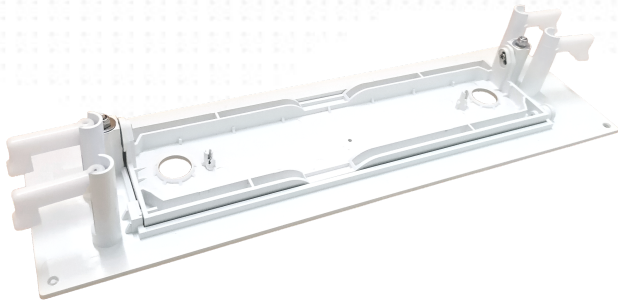


Tiltable Surface Mounting Bracket

3D Max Titled Flush Mounting Bracket™

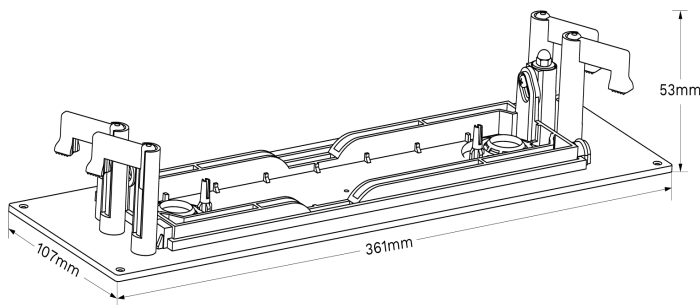


Product Code: FC-FAC37

TECHNICAL DATA

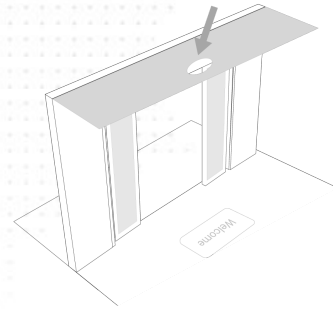
Compatible With	FootfallCam 3D Max™ FootfallCam 3D Max2™
Maximum Load	2kg
Weight	0.18kg
Material	ASA Plastic
Environment	Indoor
Extension Reach	0.3m to 0.6m

CASE DIMENSION

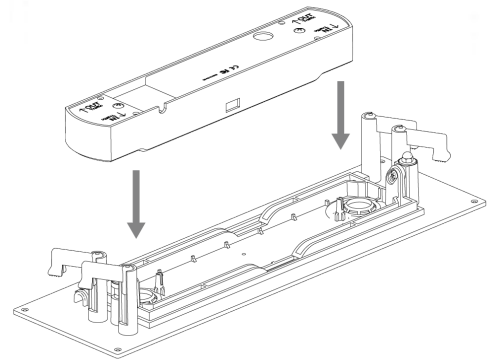


HOW TO INSTALL

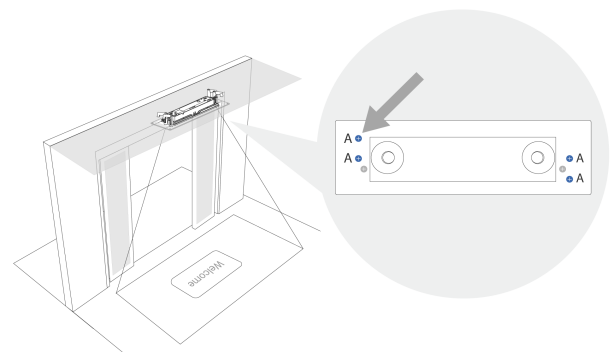
Step 1: Determine the mounting location of the 3DMax/ 3DMax2 and cut a rectangle hole of size 337 mm (W) x 80mm (L) on the ceiling space for installation of the mounting.



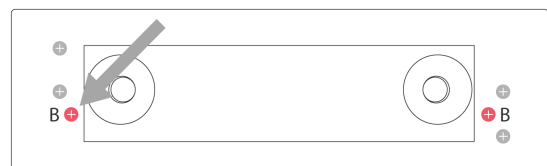
Step 2 Attach the counter to the bracket and secure it in place.



Step 3 Clamp the bracket with the attached counter onto the ceiling and secure it by fastening 4x Screw A (Blue). Additional breakable holes are provided on each corner for direct mounting.



Step 4 (Optional) Tilt the counter to the desired angle by turning the Screws B (Red) located next to the counter.



Do you need further information or have a question? Please visit www.footfallcam.com

©2002-2023 Footfall counter is trademark application of FootfallCam in various jurisdictions. We reserve the right to introduce modifications without notice. All other company names and products are trademarks of their respective companies.