

FootfallCam Drop Pole 3m

Product Code: FC-FAC02

Third Party Product

Accessories



FootfallCam Drop Pole 3m allows installation of a FootfallCam device when the ceiling height of the store is outside of the recommended range, and wall bracket is not suitable.

COMPATIBLE WITH

FootfallCam 3D Plus

MAXIMUM LOAD

2 Kg

WEIGHT

0.35 kg

MATERIAL

Aluminum

EXTENSION REACH

1.5m to 3m

ENVIRONMENT

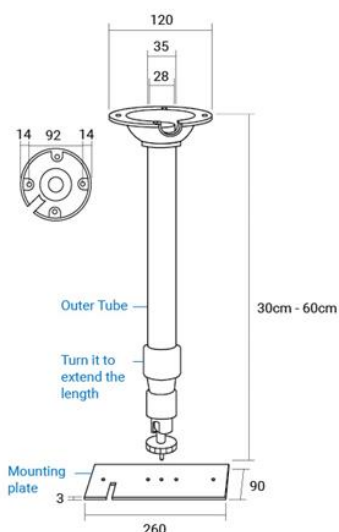
Indoor

MOUNTING HEIGHT

4.5m to 7.5m (measure from floor)

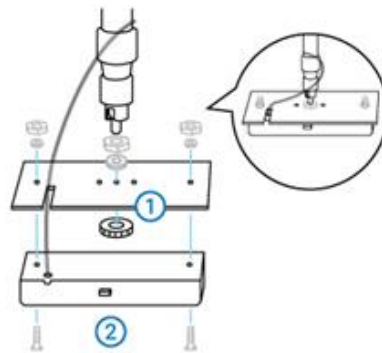
INCLUDED

FootfallCam Mounting Plate and Screwing Kits

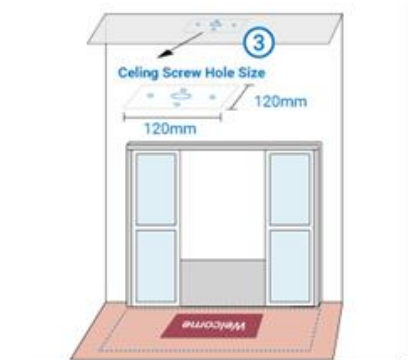


How to Install Drop Pole

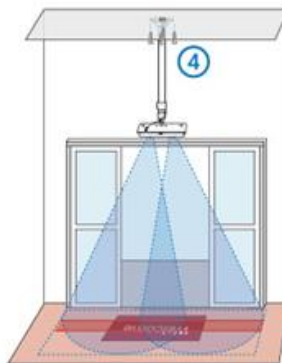
Step 1 Attach the mounting plate to the drop pole using the internal screws, then attach the counter to the mounting plate using the external screws.



Step 2 Determine the mounting location and drill (5) holes for installing the drop pole. The holes should be drilled within (120mm x 120mm).



Step 3 Mount the drop pole onto the ceiling.



Step 4 Connect the Cat5 cable through the tubes of the drop pole.

