

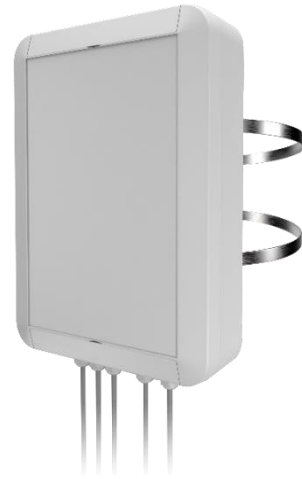
FootfallCam

Centroid Outdoor™

Product Code: FC-FCO02

FootfallCam Product

Accessories



Key Features

- ▶ Easy to install, integrate and maintain.
- ▶ Real time processing data.
- ▶ Weatherproof housing for both indoor and outdoor use
- ▶ Process up to four HD full-motion video streams
- ▶ Low-power edge intelligent video analytics
- ▶ 4G network compatible
- ▶ FootfallCam Centroid Outdoor™ works in conjunction with FootfallCam people counter and/or any CCTV cameras
- ▶ Data Metrics gathered by any FootfallCam people counter can be computed by FootfallCam Centroid Outdoor™

CCTV Requirement

- ▶ Installed between 2-6m ceiling height (ideal height is between 3-4m)
- ▶ Real time Streaming Protocol (RTSP) Compatible
- ▶ No distortion / fisheye lens
- ▶ Minimum resolution of 720p
- ▶ Minimum Frame rate of 10fps
- ▶ Adjustable view angle

FootfallCam Centroid Outdoor™ processes up to four HD full-motion video streams in real-time and can be deployed as a low-power edge intelligent video analytics platform for IP cameras, smart cameras, and IoT gateways. Data is transferred to the cloud via 4G connection. Applications include human detection, pose estimation and car detection.

How it works?

1. Multi Stream Video Analytics

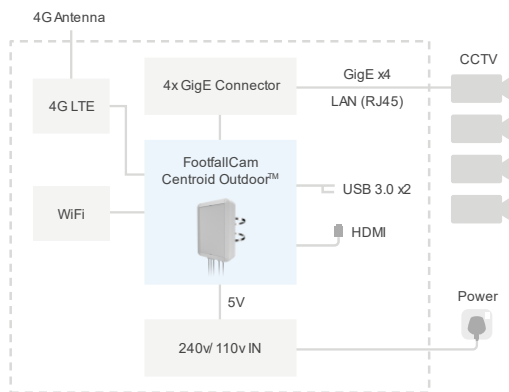


Figure 1: An example architecture using Centroid for ingesting and processing up to 4 digital streams over Gigabit Ethernet with deep learning analytics

2. Object Detection (Localization)



Figure 2: Screenshots from video of Centroid performing object detection on four 1080p30 streams running at a throughput of 500 megapixels per second (MP/s).

FootfallCam Centroid Outdoor™

GENERAL SPECIFICATION

Model	Centroid Outdoor
Weight	2.21kg
Casing Colour	White Grey
Casing Material	ASA
Total Dimensions (mm)	200mm (W) x 65mm (D) x 280mm (H)
Warranty	1 year from first allocation date*

* Warranty extension available upon request

PROCESSOR SPECIFICATION

CPU	64-bit Quad-core @ 1.43GHz
GPU	128-core @ 921MHz
Memory	4GB 64-bit LPDDR4 @ 1600MHz 25.6 GB/s
Video Encoder	4Kp30 (4x) 1080p30 (2x) 1080p60
Video Decoder	4Kp60 (2x) 4Kp30 (8x) 1080p30 (4x) 1080p60
Wireless Connectivity	LTE-TDD B34/B38/B39/B40/B41 LTE-FDD B1/B2/B3/B4/B5/B7/B8/B12/B13/B18/B19/B20/B25/ B26/B28/B66 UMTS/HSDPA/HSPA+ B1/B2/B4/B5/B6/B8/B19
Power	13W

INTERFACES SPECIFICATION

Networking	4x 100Mbps Ethernet (RJ45)
Wireless	M.2 Key-E with PCIe x1
Storage	MicroSD card (16GB UHS-1 recommended minimum)
SIM Card	4G/LTE/3G
Network Bands	LTE – FDD B1/B3/B5/B7/B8/B20 LTE – TDD B38/B40/B41 UMTS/HSPA + B1/B5/B8 GSM/GPRS/EDGE 900/1800 MHz
Power Supply	110-240 VAC

