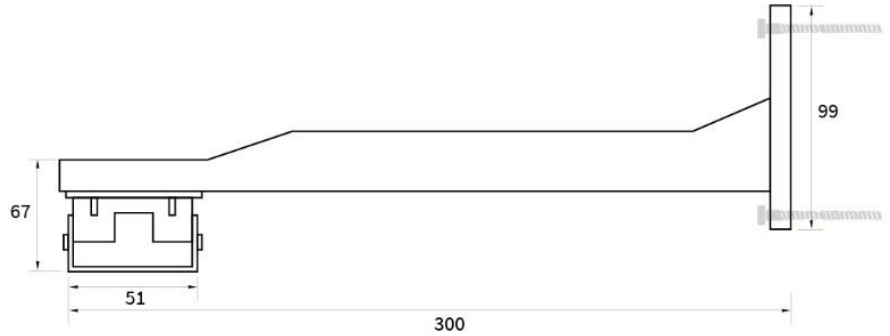


FootfallCam Wall Bracket Kit FC – FAC01

In some environments, counters may not be able to mount on the ceiling, or the ceiling height is outside the recommended range (2.5 m – 4.5 m). In those cases, a wall mount bracket would be recommended.

Dimensions



Without Counter Installed



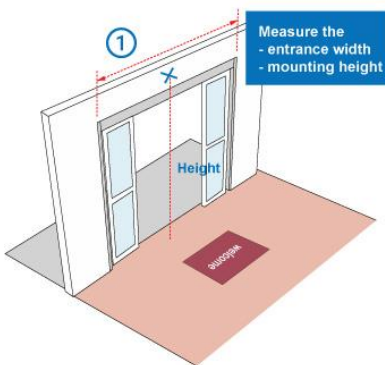
With Counter Installed



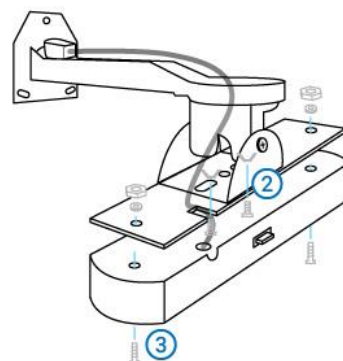
Key Specifications

Compatible with	FootfallCam 3D Plus
Dimension	(WxDxH): 300 x 100 x 85mm
Maximum Load	2kg
Weight	200 g
Material	Metal
Color	White
Environment	Indoor
Ideal Mounting height	2.8 m -3.5 m (measure from floor)
Included	2x ceiling screws, 2x wall plugs, 2x bolts, 2x nuts, 2x washers

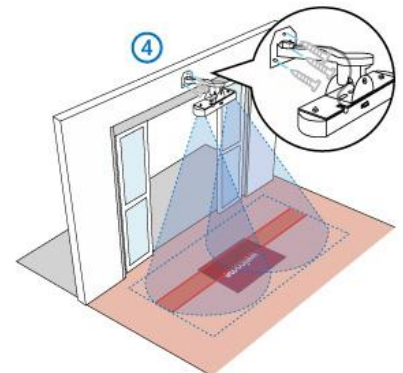
How to Install Wall Bracket



Step 1: Determine the mounting location (ideal height: 2.8m – 3.5m), calculate the total counter required using [FootfallCam Calculator](#)



Step 2: Attach the counter to the bracket with 2x screws, nuts and washers.



Step 3: Mount the bracket on the wall with 2x screws and wall plugs.